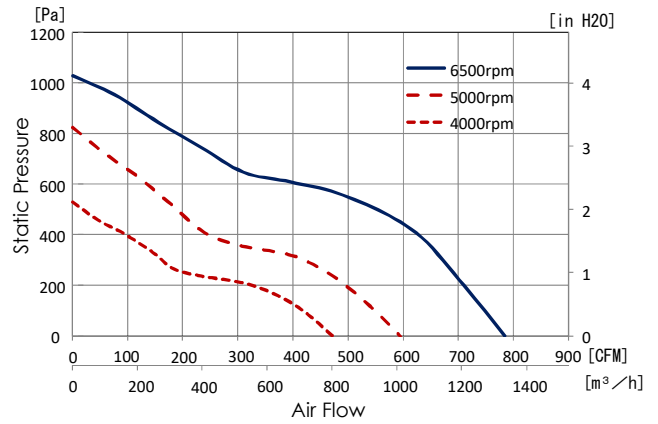




## Characteristic Curves



## General Specifications

### Motor Protection:

Locked Rotor, Reverse Polarity

### Insulation Resistance:

10M Ω min measured with 500V DC between all leads shorted together and case

### Dielectric Withstand Voltage: AC 500V 1 minute

### Allowable Ambient Temperature Range:

-30°C ~ +70°C (Operating)  
-40°C ~ +80°C (Storage)

## Expected Life

### L10 Life:

40°C 70,000 Hours

## Material

Casing : Aluminum

Impeller : Plastic

Bearing : Ball Bearing

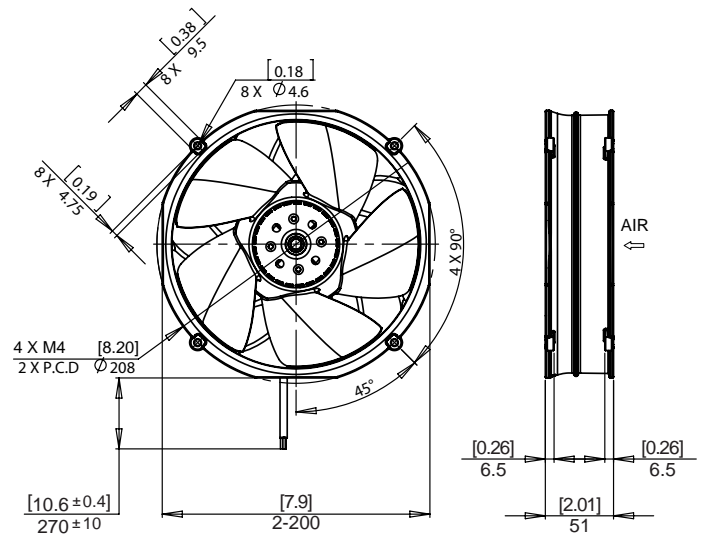
Lead Wire : UL3266 +Red, -Black (AWG20)

Speed Control = Yellow (AWG22)

Speed Signal = White (AWG22)

## Outline

Units:  $\frac{[inch]}{mm}$



## Specifications

MODEL	Rated Voltage	Operating Voltage	Current	Input Power	Speed	Max. Air Flow		Max. Static Pressure		Noise	Mass
	(V)	(V)	(A) <sup>*1</sup>	(W) <sup>*1</sup>	(min <sup>-1</sup> ) <sup>*1</sup>	CFM <sup>*1</sup>	(m <sup>3</sup> /hr) <sup>*1</sup>	in H <sub>2</sub> O	(Pa) <sup>*1</sup>	(dB) <sup>*1</sup>	(g)
R200A0-051-D0760	48	30 ~ 72	2.9	139.2	6500	783	1330	4.12	1028	74	1200
R200A1-051-D0750	48	30 ~ 72	1.3	62.4	5000	590	1002	3.32	828	67	1200
R200A4-051-D0550	24	18 ~ 30	2.8	67.2	5000	590	1002	3.32	828	67	1200
R200A5-051-D0540	24	18 ~ 30	1.5	36.0	4000	472	802	2.12	529	61	1200

Rotation: Counterclockwise looking at Air Inlet.

\*1: Average Values in Free Air and Rated Voltage Condition